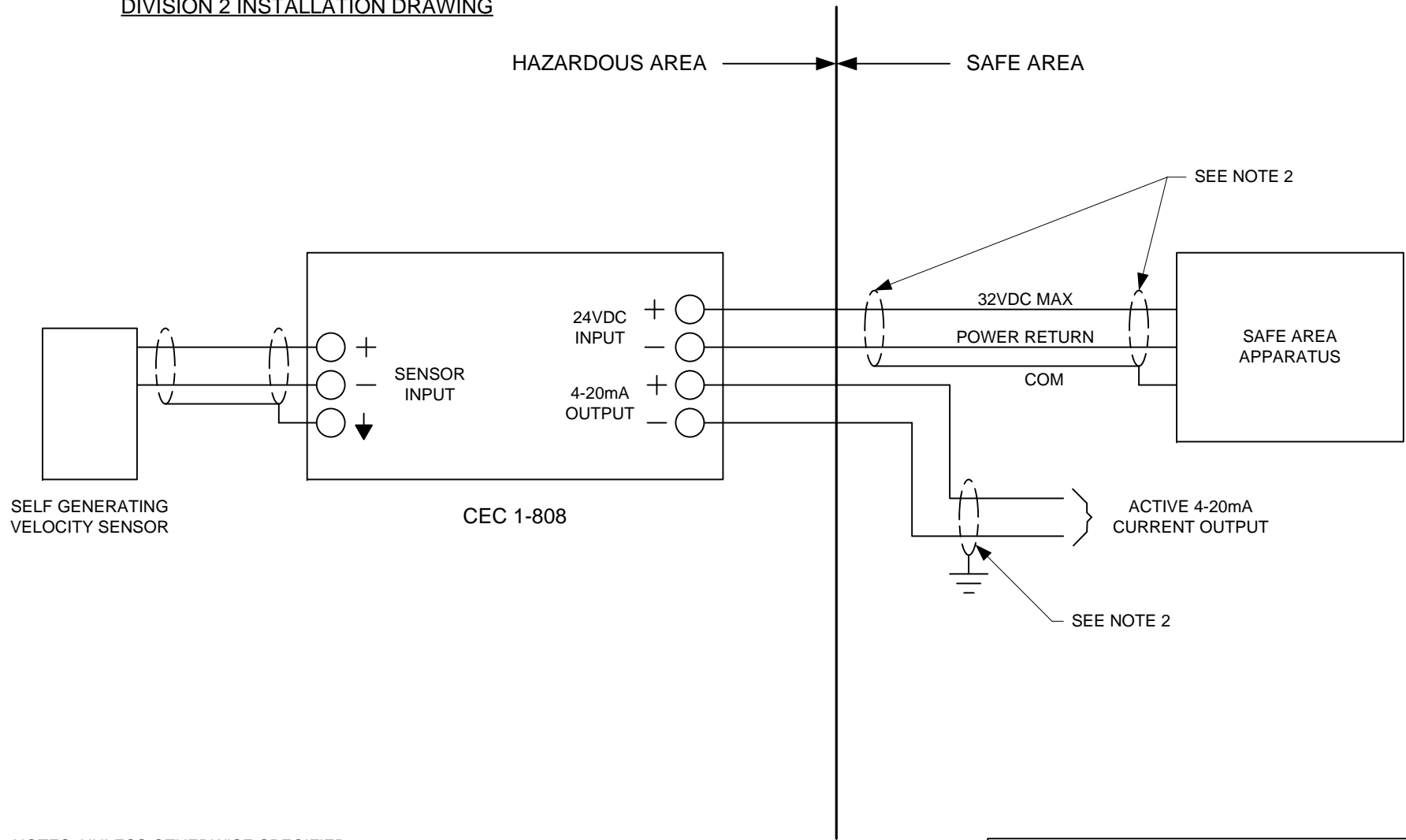


DIVISION 2 INSTALLATION DRAWING



NOTES: UNLESS OTHERWISE SPECIFIED

1. CLASS 1, DIVISION 2, GROUPS A, B, C and D, TEMPERATURE CODE T5, MAX AMBIENT +80°C
2. THIS TRANSMITTER MUST BE INSTALLED WITHIN A SUITABLE ENCLOSURE WHERE THE FINAL INSTALLATION IS SUBJECT TO APPROVAL BY THE AUTHORITY HAVING JURISDICTION.
3. SAFE LOCATION APPARATUS MUST NOT USE OR GENERATE IN EXCESS OF 250V.
4. INPUT / OUTPUT RATINGS:
 INPUT POWER: 20 - 32 VDC @ 100mA MAX
 4-20 mA OUTPUT LOAD: 1K OHM MAX

CEC Vibration Products		
1-808 W/ SELF GENERATING VELOCITY INPUT HAZARDOUS LOCATION INSTALLATION DRAWING		
CAGE NO. 09384	DWG. NO. 700438-01-0000	REV. A
DO NOT SCALE DRAWING		SHEET 1 of 1