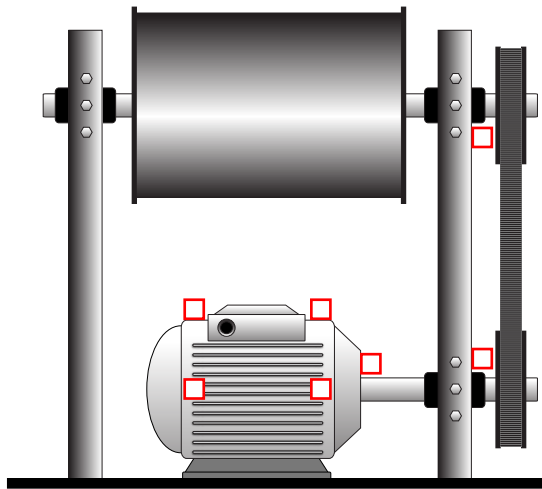


WE MAKE IT EASY...



CTC Power Pack Vibration Analysis Hardware for Conveyor Belts



□-Vibration Sensors

| Quantity | Part Number | Description |
|----------|-----------------|---|
| | AC192-1A | Compact Accelerometer, Top Exit, 100 mV/g |
| | AC194-1A | Compact Accelerometer, Side Exit, 100 mV/g |
| | CB102-A2A-030-Z | Twisted, shielded pair cable, red Teflon® Jacket, 30 ft.* |
| | SSB1000-6C | 6 Channel Modular Switch Box |
| | | |
| | | |
| | | |

* 30 feet (9.1 meters) is average length.
The actual length you need may vary.

Recommended System

Accelerometers

Cable

Switch Box



CONNECTION TECHNOLOGY CENTER, INC.