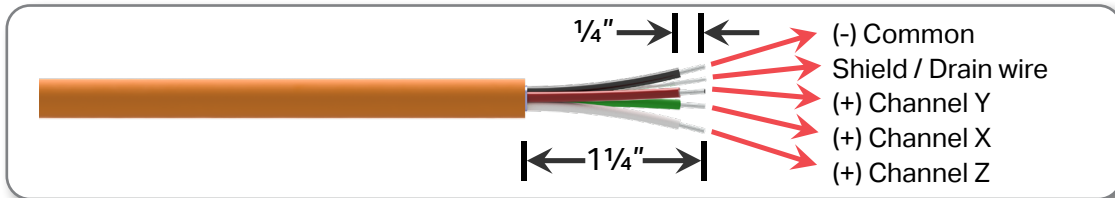


# TRIAxIAL WIRING INSTRUCTIONS

## SSB1000 SERIES MODULAR SWITCH BOX

1. Strip outer jacket of cable back 1¼ in. and remove all of the shielding.
2. Separate the internal wires from the shield and twist the shield drain wire.
3. Strip red, black, green, and white insulation back ¼ in.



4. Locate the appropriate plug, identified by channel number, remove the plug and install the wires using a small flathead screwdriver. Push plug back into location.

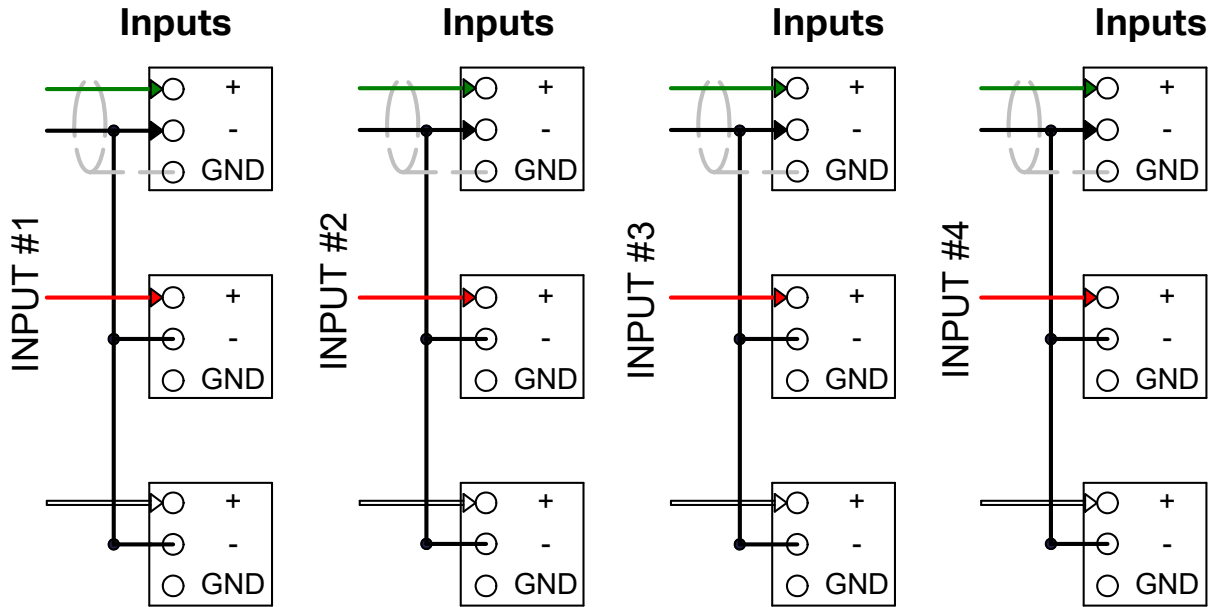
### Orientation is as follows:

- a. Red insulated conductor wire (Y) is connected to the first channel used.
- b. Green insulated conductor wire (X) is connected to the second channel used.
- c. White insulated conductor wire (Z) is connected to the third channel used.
- d. Black insulated conductor wire is connected to (-) and must be applied to each channel.
- e. Shield drain wire is connected to ground (GND) and needs only one



# TRIAxIAL WIRING INSTRUCTIONS

## SSB1000 SERIES MODULAR SWITCH BOX



Sensor Inputs  
 Green = Signal/Power (+) X Axis  
 Red = Signal/Power (+) Y Axis  
 White = Signal/Power (+) Z Axis  
 Black = Common (-)  
 Grey = Shield (Ground)

